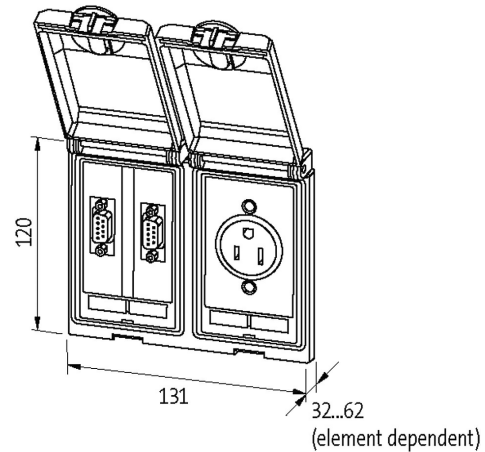


Modlink MSDD-set: Frame 4000-68122-0000000,
insert 4000-68000-0230000 + 4000-68000-0140000

Illustration





Product may differ from Image

Frame

suitable for mounting with wall thickness	1...5 mm
Protection	IP65
Housing	Zinc die-casting, KTL coated
Temperature range	-10...+60 °C (storage temperature -25...+60 °C)

SUB-D9

Operating voltage	48 V AC/DC
Operating voltage (UL Rating)	max. 30 V AC/42.4 V DC
Operating current	3 A
Operating current (UL Rating)	max. 175 mA
No. of poles	9-pole
Connection front side	SUB-D (female)
Connection rear side	SUB-D (solder connection)
Locking of ports	UNC 4...40 bolt

Germany (VDE)

Operating voltage	250 V AC
Operating current	10...16 A
No. of poles	2 + PE
Connection	Spring clamp terminals: max. 2× 2.5 mm ² (AWG 14)

Commercial data

country of origin	CZ
customs tariff number	85389099
EAN	4048879035705
eClass	27189217
Packaging unit	1